



Union Special
INDUSTRIAL SEWING EQUIPMENT

STYLES

35800BWDN

35800BWDR

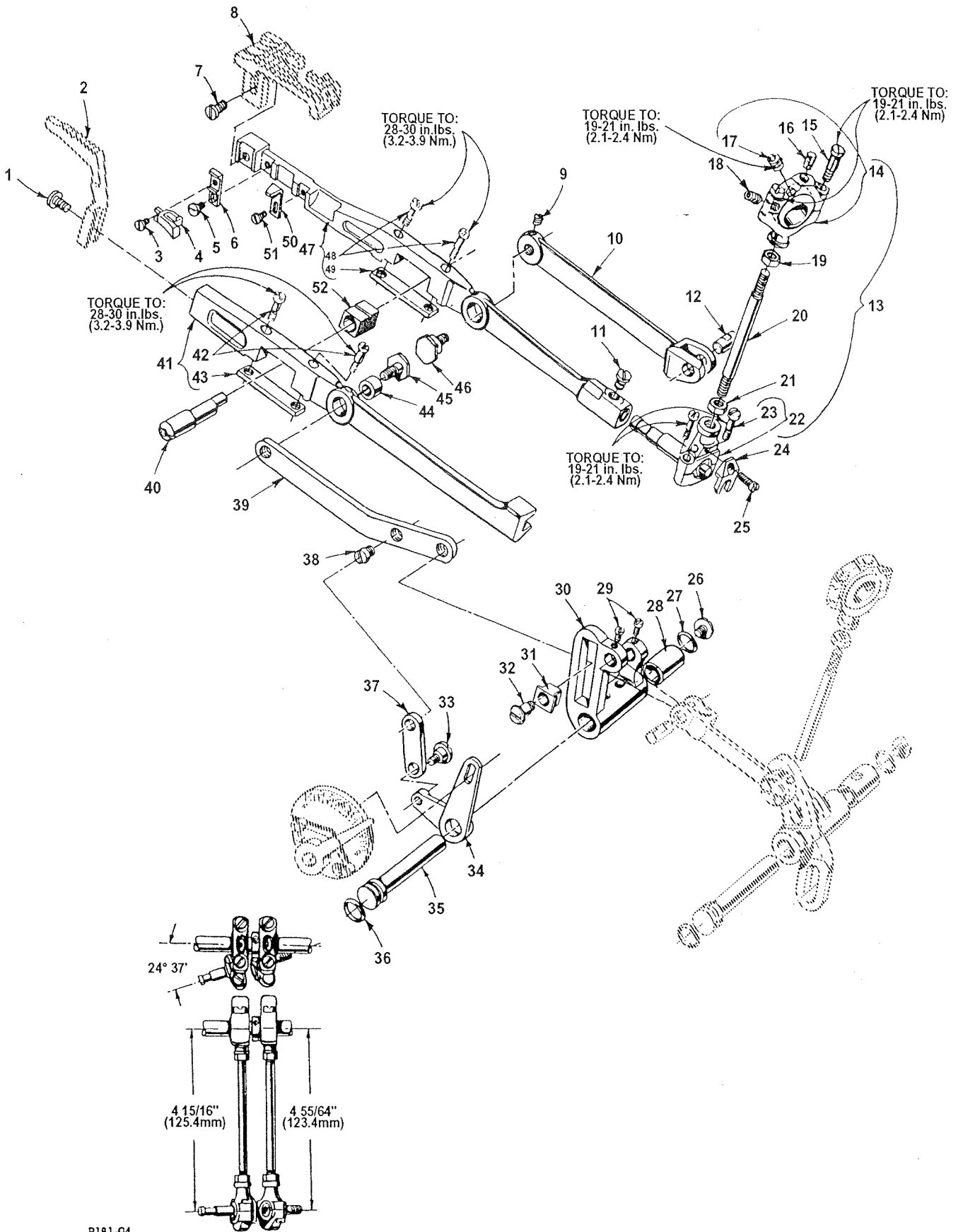
35800BRWH

THE FOLLOWING PAGES ARE
SUPPLEMENTS FOR CATALOG PT9640
AND WILL INDICATE PARTS THAT ARE
UNIQUE TO MACHINE STYLES
35800BWDN8, BWDN9, BWDR8, BWDR9,
BRWH9

CATALOG NO.
PT9809

SUPPLEMENT TO
CATALOG NO.
PT9640

02/27/01



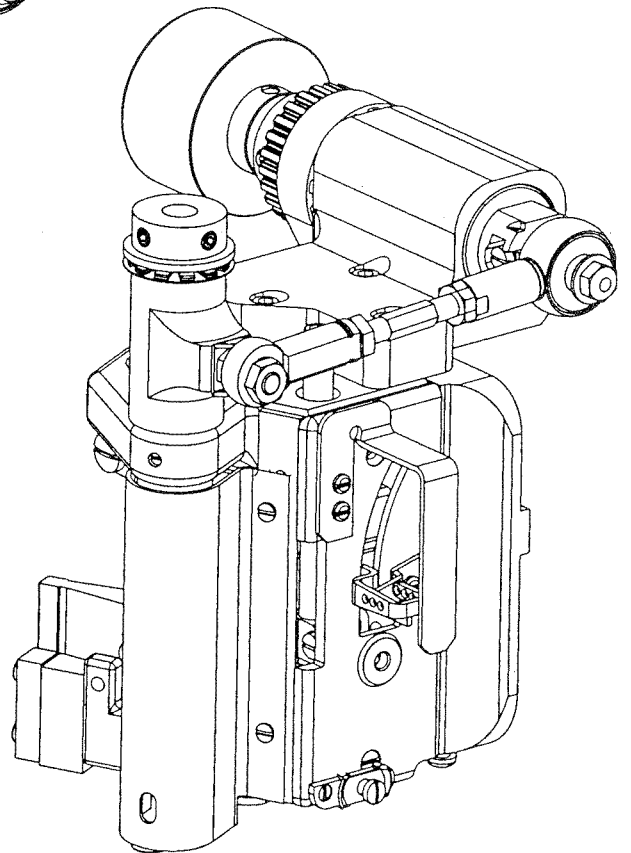
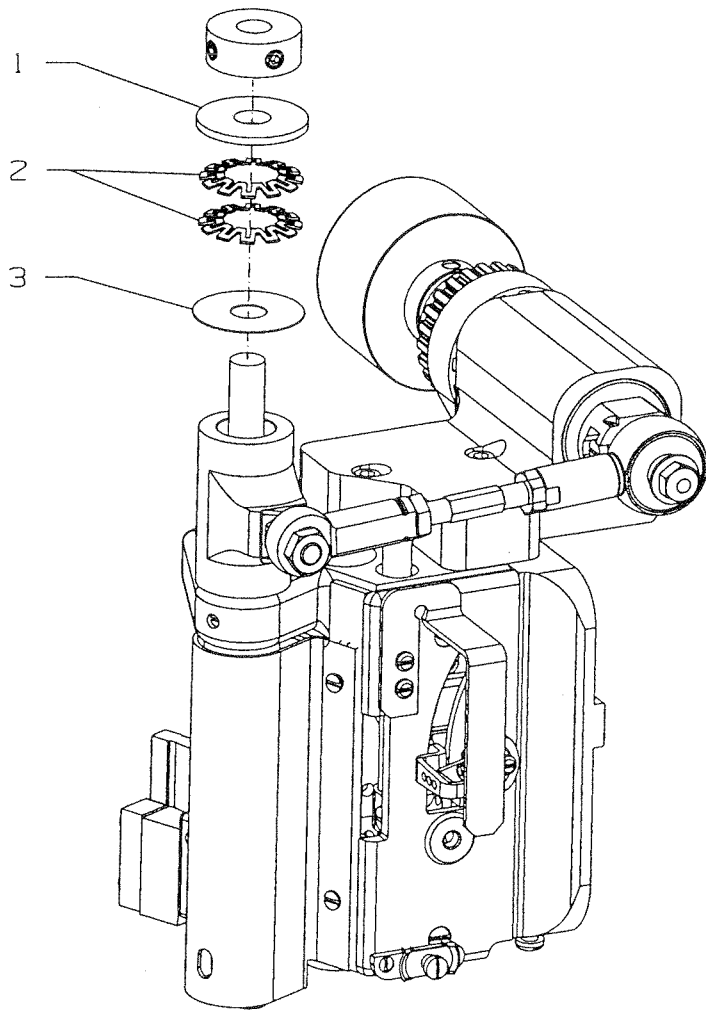
P181-94



DIFFERENTIAL FEED BAR, MAIN FEED BAR, FEED LIFT ECCENTRIC ASSEMBLY
FOR DIFFERENTIAL FEED

| Ref. No. | Part No. | Description | Amt. Req. |
|-------------|----------|--|--------------|
| 1. | 22528 | Screw | 1 |
| 2. | ----- | Differential Feed Dog (see page 59 PT9640) | 1 |
| 3. | 87U | Screw | 1 |
| 4. | 35825AC | Needle Guard | 1 |
| 5. | 22768 | Screw | 1 |
| 6. | 35835B | Needle Guard Holder | 1 |
| 7. | 22528 | Screw | 1 |
| 8. | ----- | Main Feed Dog (see page 59 PT9640) | 1 |
| 9. | 22894P | Screw | 1 |
| 10. | 35834W | Main Feed Bar Driving Link | 1 |
| 11. | 33174B | Screw | 1 |
| 12. | 62238A | Link Pin | 1 |
| 13. | 29478DV | Feed Lift Eccentric Assembly, for Style 35800BWDN | 1 |
| 14. | 29103 | Feed Lift Eccentric Assembly Ball Joint, for Style 35800BWDN | 1 |
| 15. | 22587E | Screw | 2 |
| 16. | WO3 | Oil Wick | 1 |
| 17. | 22894W | Set Screw | 2 |
| 18. | 22894AA | Spot Screw | 1 |
| 19. | 269 | Nut, left thread | 1 |
| 20. | 36244 | Connecting Rod | 1 |
| 21. | 18 | Nut, right thread | 1 |
| 22. | 36244A | Ball Joint, complete | 1 |
| 23. | 22729C | Screw | 2 |
| 24. | 41255B | Ball Fork | 1 |
| 25. | 22747 | Screw | 1 |
| 26. | 22711 | Screw | 1 |
| 27. | 660-206 | Oil Seal Ring | 1 |
| 28. | 36236B | Bushing, for feed rocker shaft | 1 |
| 29. | 77 | Screw | 2 |
| 30. | 35836A | Feed Rocker | 1 |
| 31. | 36236K | Differential Feed Driving Link Slide Block | 1 |
| 32. | 36236J | Differential Feed Bar Driving Link Stud | 1 |
| 33. | 22504C | Screw | 1 |
| 34. | 36237 | Differential Feed Adjusting Lever | 1 |
| 35. | 36236A | Feed Rocker Shaft | 1 |
| 36. | 660-207 | Oil Seal Ring | 1 |
| 37. | 36237A | Differential Feed Adjusting Lever Link | 1 |
| 38. | 22845M | Screw | 1 |
| 39. | 35836B | Differential Feed Bar Driving Link | 1 |
| 40. | 36234D | Feed Bar Eccentric Stud | 1 |
| 41. | 36234F | Differentials Feed Bar | 1 |
| 42. | 22587H | Screw | 2 |
| 43. | 36234G | Feed Bar Plate | 1 |
| 44. | 36236H | Bushing | 1 |
| 45. | 36236G | Differential Feed Bar Driving Link Stud | 1 |
| 46. | 35834X | Main Feed Bar Eccentric Driving Stud | 1 |
| 47. | 35834AB | Main Feed Bar | 1 |
| 48. | 22587H | Screw | 2 |
| 49. | 36234G | Feed Bar Plate | 1 |
| 50. | 35834AC | Main Feed Dog Support | 1 |
| 51. | 22804 | Screw | 1 |
| 52. | 36234C | Feed Bar Slide Block | 1 |

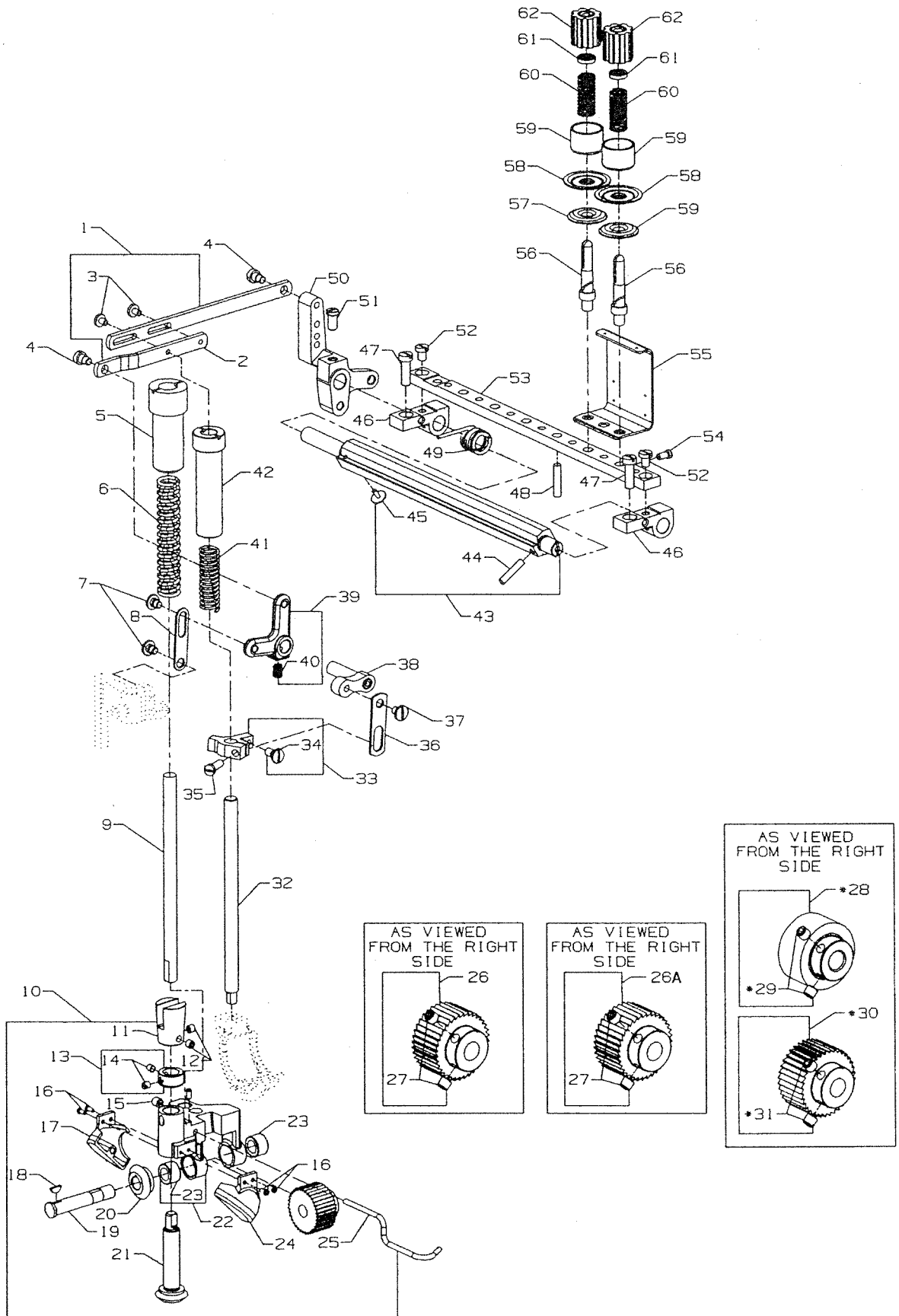




PULLER BRAKE ASSEMBLY

| Ref. No. | Part No. | Description | Amt. Req. |
|----------|----------|------------------|-----------|
| 1. | 50377AE | Disc | 1 |
| 2. | 661-261 | Cup Spring | 2 |
| 3. | 35886K | Washer | 1 |





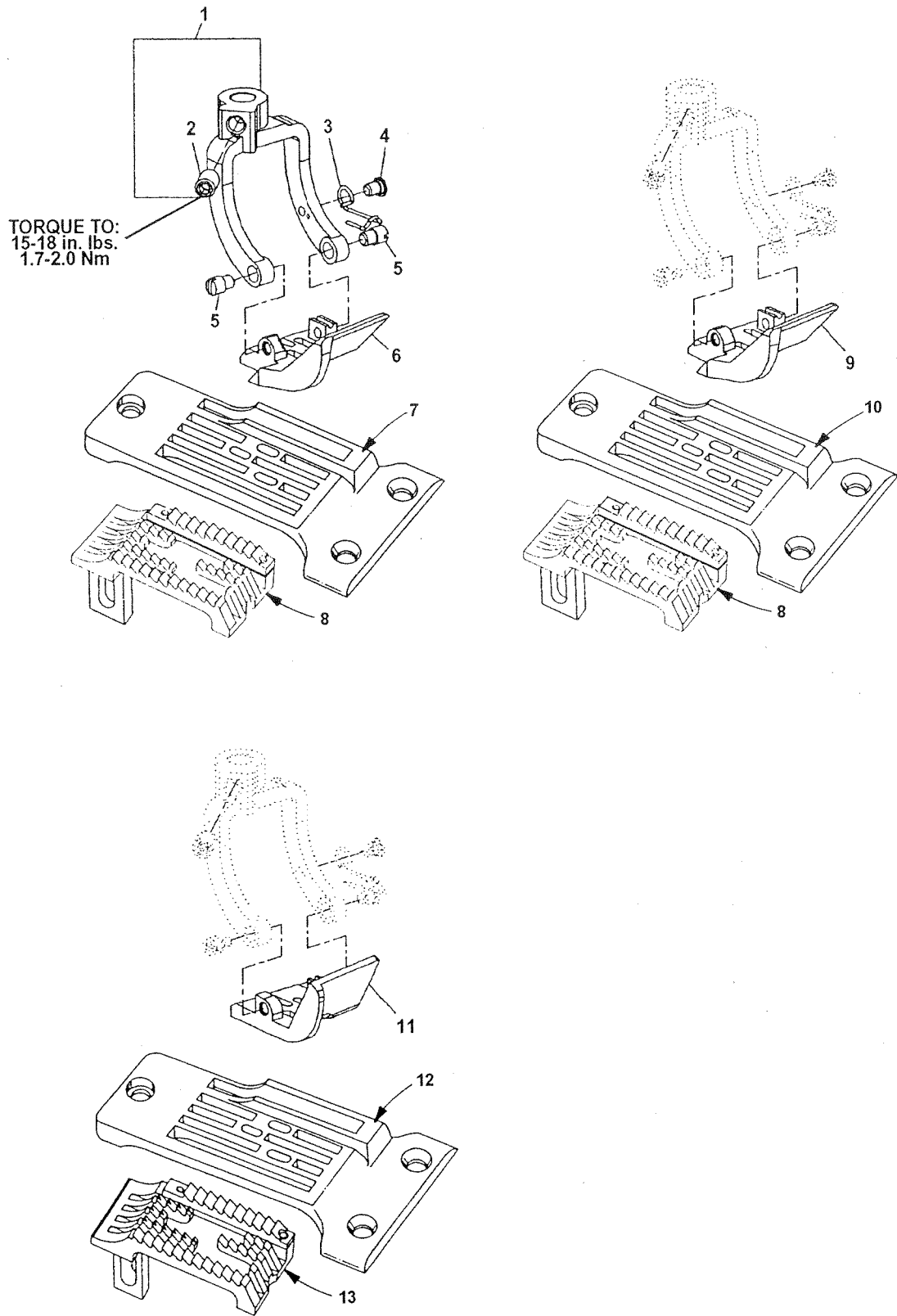
UPPER ROLLER FEED, FOOT LIFTER AND THREAD TENSION PARTS

| Ref. No. | Part No. | Description | Amt. Req. |
|----------|----------|--|-----------|
| 1. | 36280V | Lifter Lever Link Assembly | 1 |
| 2. | 36280U | Lifter Lever Link | 1 |
| 3. | 22585C | Screw | 2 |
| 4. | 86 | Screw | 2 |
| 5. | 35892A | Puller Bar Knob, rear | 1 |
| 6. | 50377B | Spring, puller bar | 1 |
| 7. | 22758C | Screw | 2 |
| 8. | 35835F | Lifter Lever Bell Crank Link | 1 |
| 9. | 35877AM | Roller Presser Bar | 1 |
| 10. | 29478ED | Puller Assembly for, 35800BWDN, 35800BWDR | 1 |
| - | 29478EL | Puller Assembly for, 35800BRWH | 1 |
| 11. | 54274C | Feed Roller Lower Connection | 1 |
| 12. | 22894W | Screw | 2 |
| 13. | 14649 | Drive Gear Collar | 1 |
| 14. | 88 | Screw | 2 |
| 15. | 22894C | Screw | 1 |
| 16. | 22738 | Screw | 4 |
| 17. | 35875Z | Gear guard, rear | 1 |
| 18. | 35877AA | Woodruff Key | 1 |
| 19. | 35873AK | Feed Roller Shaft | 1 |
| 20. | 35875X | Driven Miter Gear | 1 |
| 21. | 35875Y | Drive Miter Gear | 1 |
| 22. | 35873AJ | Feed Roller Frame | 1 |
| 23. | 660-303 | Needle Bearing | 1 |
| 24. | 35875AA | Gear Guard, front | 2 |
| 25. | 21237ES | Air Blower Tube | 1 |
| 26. | 35826X | Feed Roller | 1 |
| *26A. | 35875AV | Feed Roller for, 35800BDN, 35800BDR, (Narrow roller (.468) | 1 |
| 27. | 22894W | Screw | 2 |
| *28. | 35826DZ | Wide Rubber Roller For 35800BRWH | 1 |
| *29. | 22894W | Screw | 2 |
| *30. | 35826CB | Feed Roller, Same as 35826X but reverse teeth | 1 |
| *31. | 22894W | Screw | 2 |

32. thru 62. See PT9640.

*Items can be purchased as an extra send charge.





SEWING PARTS

| Ref. No. | Part No. | Description | Amt. Req. |
|-------------|------------|--|--------------|
| 1. | 35830DY | Presser Foot Fork | 1 |
| 2. | 22894BJ | Screw | 1 |
| 3. | 35830K | Spring | 1 |
| 4. | 22599 | Screw | 1 |
| 5. | 22845A | Screw | 2 |
| 6. | 35820BQW8 | Presser Foot, for Style 35800BQW8 | 1 |
| 7. | 35824BQW8 | Throat Plate, for Style 35800BQW8 | 1 |
| 8. | 35805BQW9 | Main Feed Dog, for Styles 35800BQW8, 9 | 1 |
| 9. | 35820BQW9 | Presser Foot, for Style 35800BQW9 | 1 |
| 10. | 35824BQW9 | Throat Plate, for Style 35800BQW9 | 1 |
| 11. | 35830BXW9 | Presser Foot, for Styles 35800BRWH9 | 1 |
| 12. | 35824DQW9 | Throat Plate, for Styles 35800BRWH9 | 1 |
| 13. | 35805BRWH9 | Main Feed Dog, for Styles 35800BRWH9 | 1 |



Union Special Corporation
Corporate Office
One Union Special Plaza
Huntley, IL 60142
Phone: 847•669•5101
Fax: 847•669•4454

Union Special GmbH
European Distribution Center
Raiffeisenstrasse 3
D-71696 Möglingen, Germany
Tel: 49•07141•247•0
Fax: 49•07141•247•100

JUKI CORPORATION
INTERNATIONAL SALES DIVISION
8-2-1, KOKURYO - CHO,
CHOFU-SHI, TOKYO 182, JAPAN
PHONE: 03(3430)4001~5
FAX: 03(3430)4909 . 4914 . 4984



Union Special
INDUSTRIAL SEWING EQUIPMENT